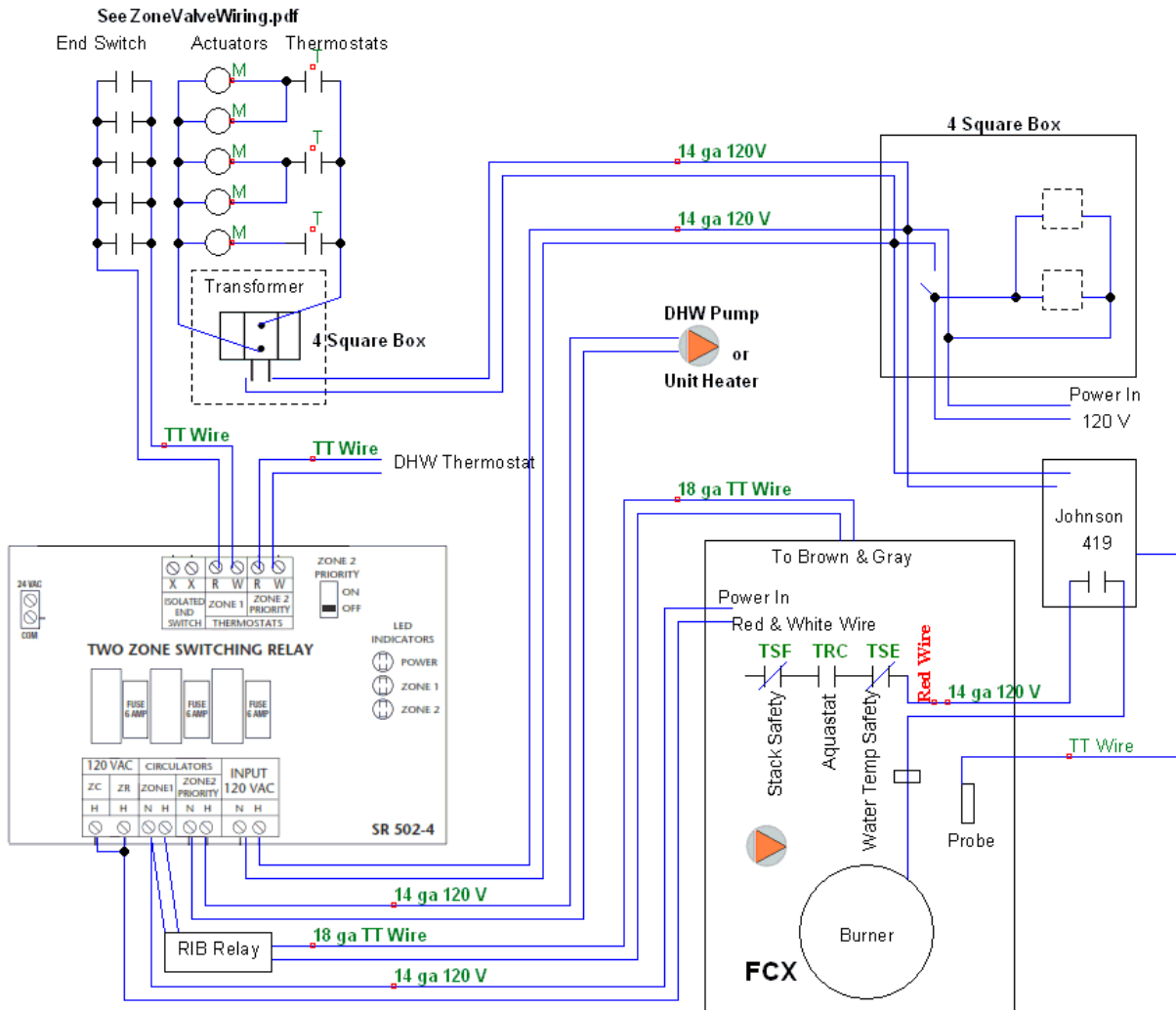


FCX Wiring with Taco SR502



This sample controls 5 zones using 3 thermostats.

RIB relay on FCX internal pump converts the SR502's 120V output to dry contacts.

The SR 502 also directly controls the DHW pump also.

On a call for heat from any zone or DHW, contactors ZR/ZC on SR502 provide power to the FCX and activate the needed pump.

The Johnson 419 provides additional accuracy to temperature control and allows reading of boiler core temperature. It is spliced in series with the existing aquastat and safeties as it is not rated as a primary controller.

Core temperature needs to be maintained at a minimum of 120° F to prevent condensing in the primary.