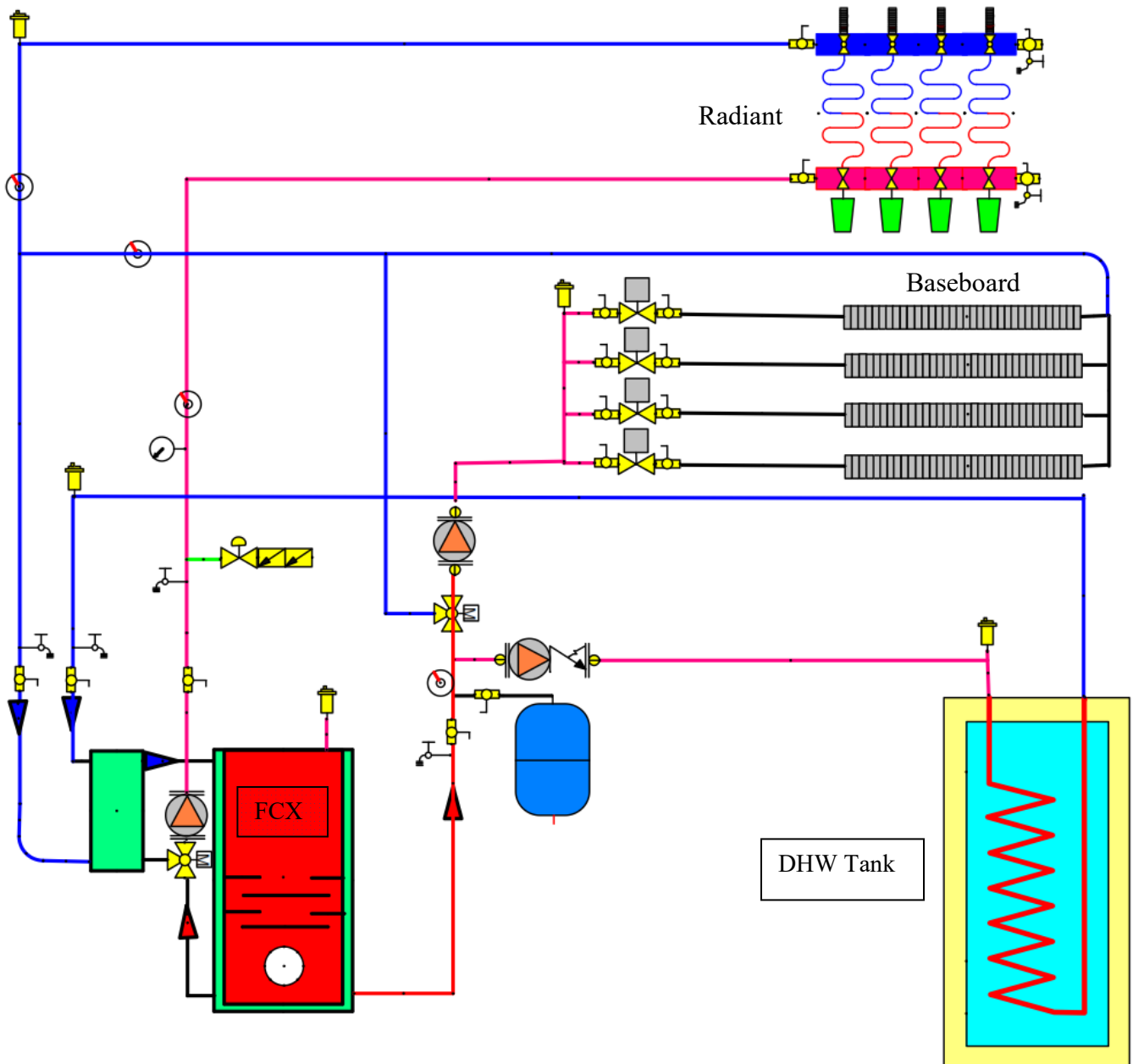


FCX Optimized System

for 3 Types of Heat Emitters using
the Tekmar 423 House Control



This schematic shows how to optimally plumb a home that contains both Radiant and Baseboard emitters, with DHW. Here the Tekmar 423 house control is modulating 2 motorized mixing valves to produce 2 water temperatures and is simultaneously setting the DHW temperature by controlling the boiler temperature

This controller has the capability of controlling 4 water temperatures and 2 boilers