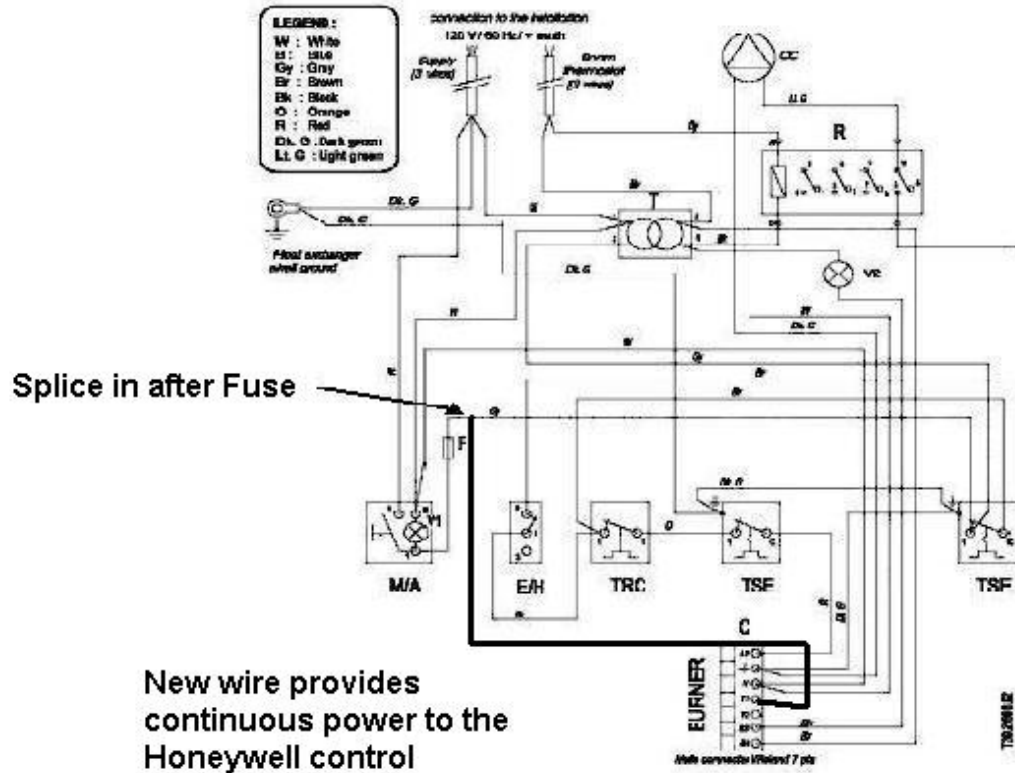
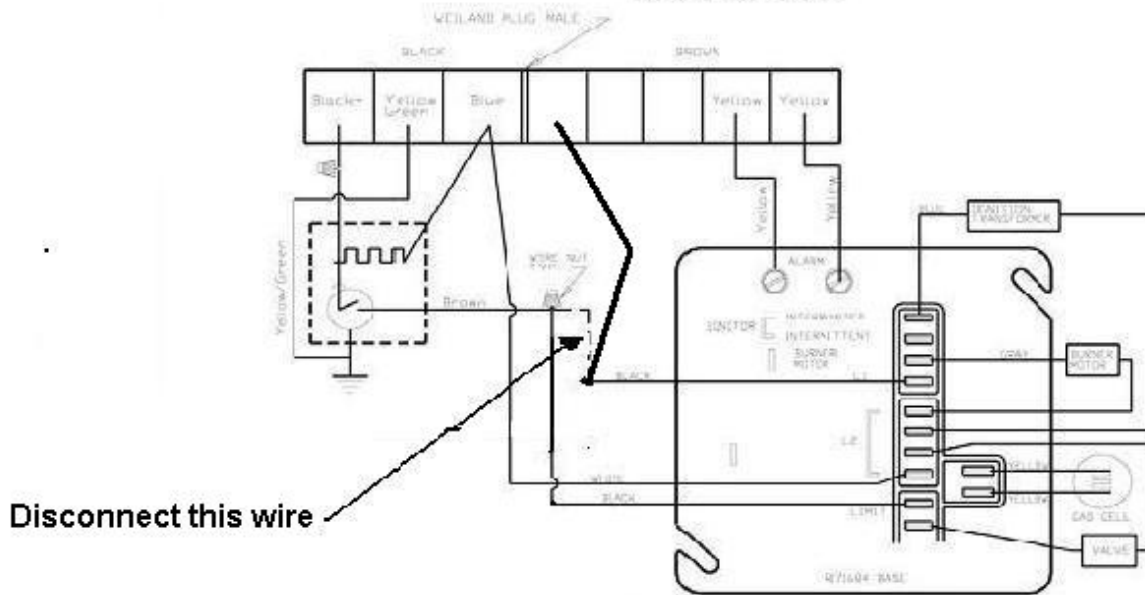


Rewiring the FCX for Post Purge



GEMINIX BURNER WIRING
 120 VOLT/60 Hz/1 PH



The Honey controller has 2 power sources. One is L1 (it is usually black), the other is called the Limit (it is usually red). In the FCX these are wired together in the Honeywell controller mounting box. So the aquastat on the boiler supplies power to both simultaneously. You cannot do a post purge if you remove all power from the boiler. So L1 needs power all the time, and the limit needs to be turned off and on by the aquastat.